

## Colour range



**Besides the offered options, we are able to produce any colour alternative according to your needs**

**Colour design** – double-layered water-soluble paint. UV environmentally friendly coating of the top layer protects the ruler from the effect of thinner.

**Nature design** – water-soluble lacquer sets off natural grain of the wood. UV environmentally friendly coating of the top layer protects the ruler from the effect of thinner.

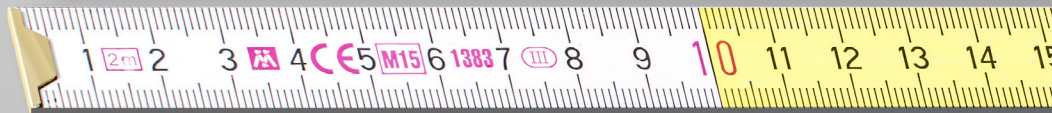
**Imagination has no limits** – we are able to produce rulers of any colour according to RAL.

## Types of scales

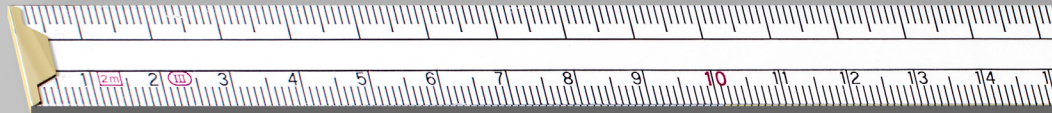
**Standard**



**White/yellow**



**Middle part blank**



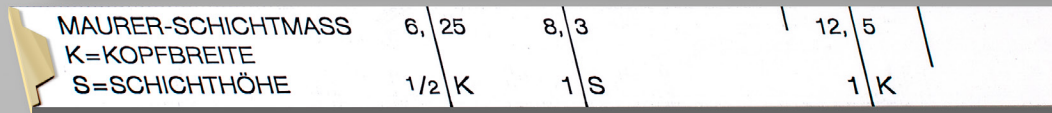
**Upper part blank**



**Scale in inches**



**Special scale**



**Special scale**



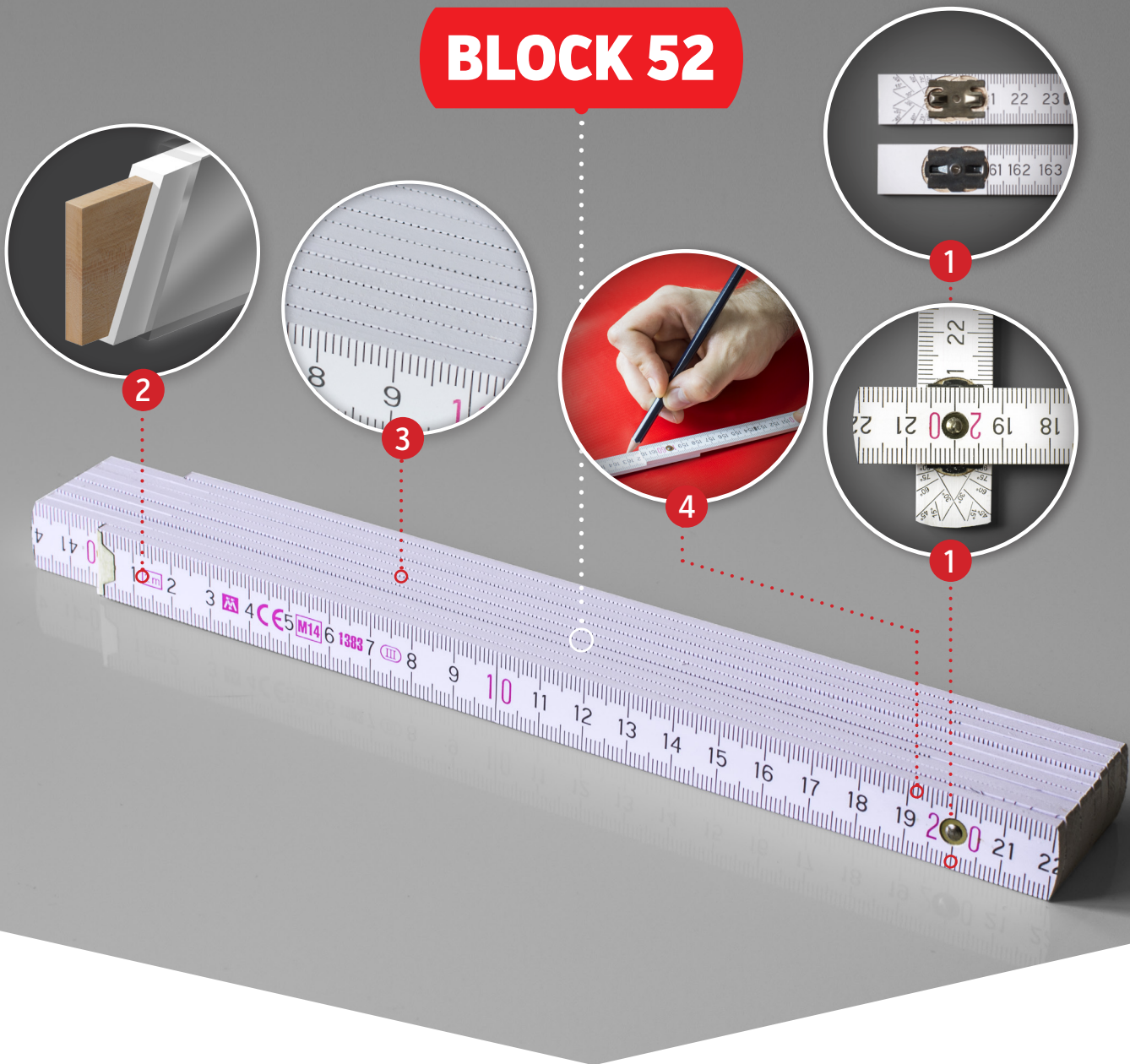
**Besides the offered options, we are able to produce any other alternative of the scale according to your needs**

**Middle and upper part blank** - blank space is suitable for an advertising slogan.

**White/yellow** - alternation of colours on the scale changes every 10 cm. This substantially improves basic orientation when measuring. We are also able to produce any other colour combinations.

**Special scale** - we are able to print any figures or signs, e.g. interstice distance of masonry etc. We can produce any units of measurement in any of their combination (mm/inch/signs for angles measurement etc.)

## BLOCK 52



## Large, compact space of the ruler is ideal for promotional print

### Wooden folding ruler, type Block 52

- 10 wooden parts – 2 m, with dimensions of 3.2 mm x 16 mm
- material: beech wood / hornbeam
- hidden steel joints, visible rivet

**1 Type of joint** – hidden joints are made of hardened steel. The steel rivet is visible. The joints are greased with mineral Vaseline for comfortable use of the ruler.

**2 Surface treatment of wooden parts** – double-layered water-soluble paint. UV environmentally friendly coating of the top layer protects the ruler from the effect of thinner.

**3 Compact space of the ruler** – the whole surface of the ruler, consisting of 10 parts, can be used for promotional purposes. The adjacent wooden parts form a compact surface for the smooth print. UV coating enables the wrong print to be washed away easily and replaced with different one.

**4 Straight wooden parts** – the smooth wooden parts without grinding enable straight lines to be drawn easily.

## BLOCK 53



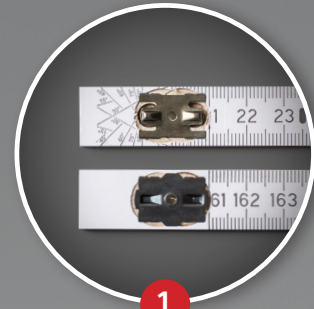
2



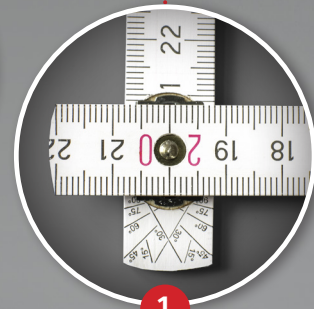
3



4



1



1

## Large, compact space of the 3 m ruler is ideal for promotional print

### Wooden folding ruler, type Block 53

- 15 wooden parts – 3 m, with dimensions of 3.2 mm x 16 mm
- material: beech wood / hornbeam
- hidden steel joints, visible rivet

**1 Type of joint** – hidden joints are made of hardened steel. The steel rivet is visible. The joints are greased with mineral Vaseline for comfortable use of the ruler.

**1 Surface treatment of wooden parts** – double-layered water-soluble paint. UV environmentally friendly coating of the top layer protects the ruler from the effect of thinner.

**1 Compact space of the ruler** – the whole surface of the ruler, consisting of 15 parts, can be used for promotional purposes. The adjacent wooden parts form a compact surface for the smooth print. UV coating enables the wrong print to be washed away easily and replaced with different one.

**1 Straight wooden parts** – the smooth wooden parts without grinding enable straight lines to be drawn easily.

## BLOCK 72



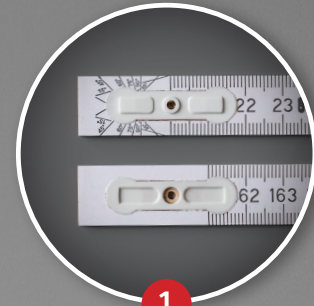
2



3



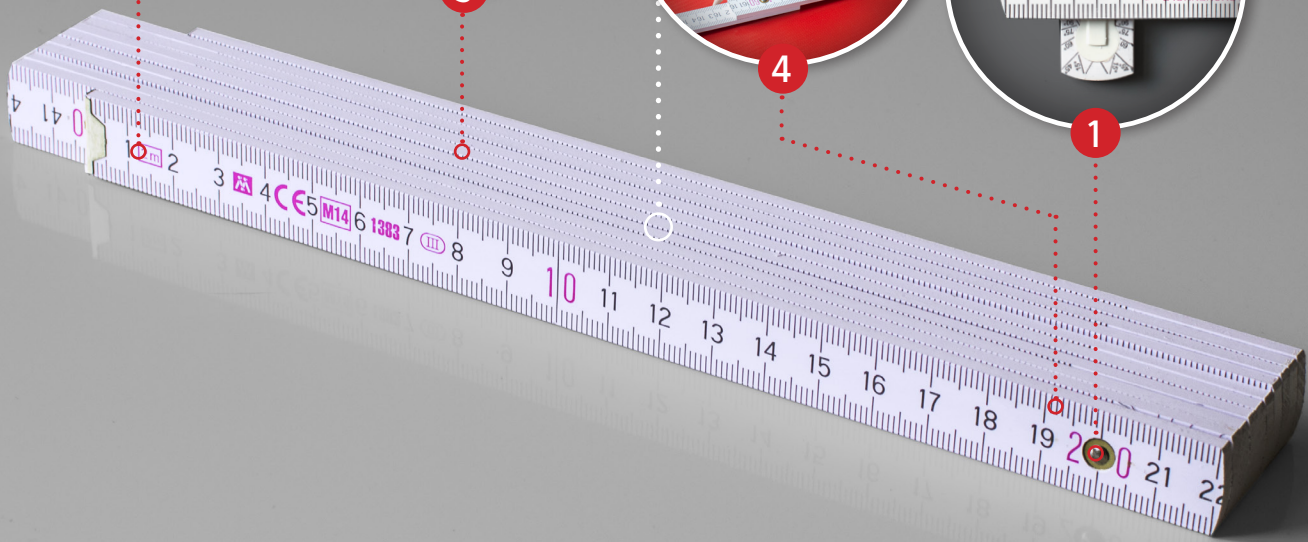
4



1



1



## Ideal for promotional print

### Wooden folding ruler, type Block 72

- 10 wooden parts – 2 m with dimensions of 3.2 mm x 16 mm
- material: beech wood / hornbeam
- hidden polyamide joints, visible rivet

**1 Type of joint** – hidden joints are made of polyamide and fiberglass. The steel rivet is visible. The joints are greased with mineral Vaseline for comfortable use of the ruler.

**2 Surface treatment of wooden parts** – double-layered water-soluble paint. UV environmentally friendly coating of the top layer protects the ruler from the effect of thinner.

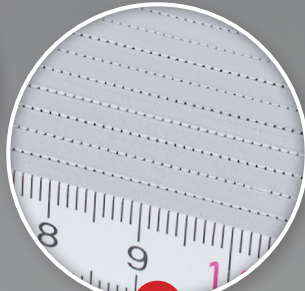
**3 Compact space of the ruler** – the whole surface of the ruler can be used for promotional purposes. The adjacent wooden parts form a compact surface for the smooth print. UV coating enables the wrong print to be washed away easily and replaced with different one.

**4 Straight segments** – the smooth wooden parts without grinding enable straight lines to be drawn easily.

## BLOCK 73



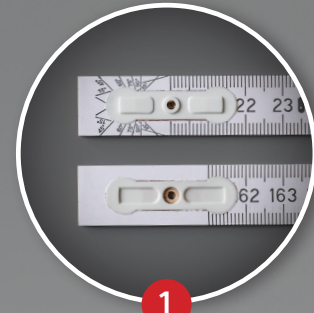
2



3



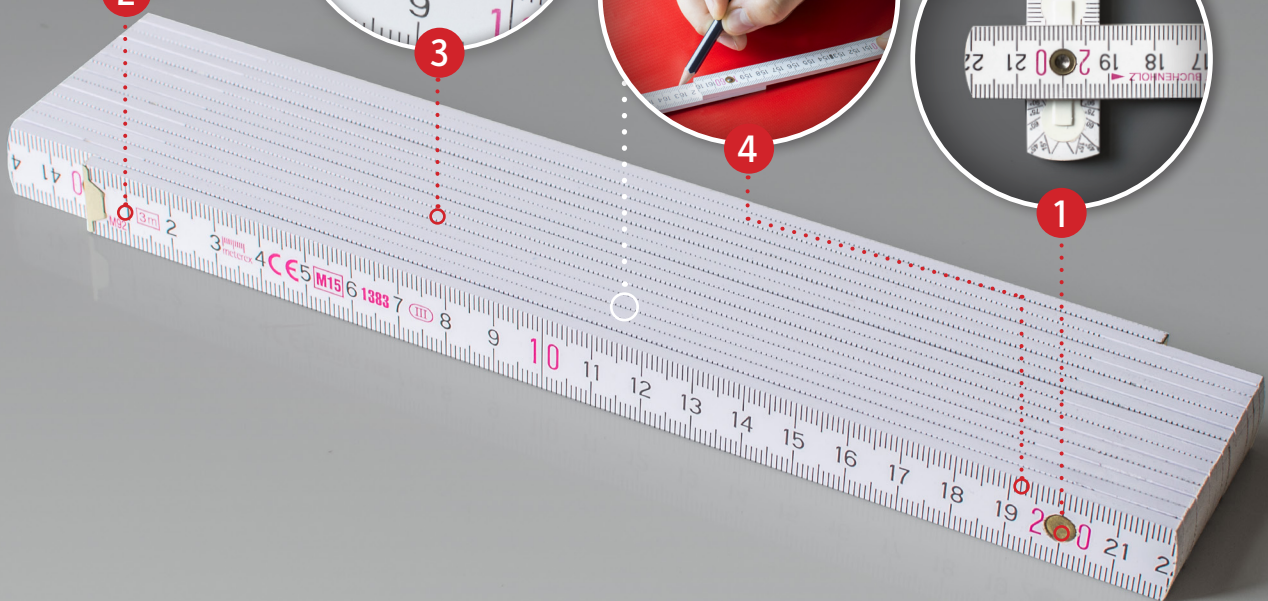
4



1



1



## Ideal for promotional print

### Wooden folding ruler, type Block 73

- 15 wooden parts – 3 m with dimensions of 3.2 mm x 16 mm
- material: beech wood / hornbeam
- hidden polyamide joints, visible rivet

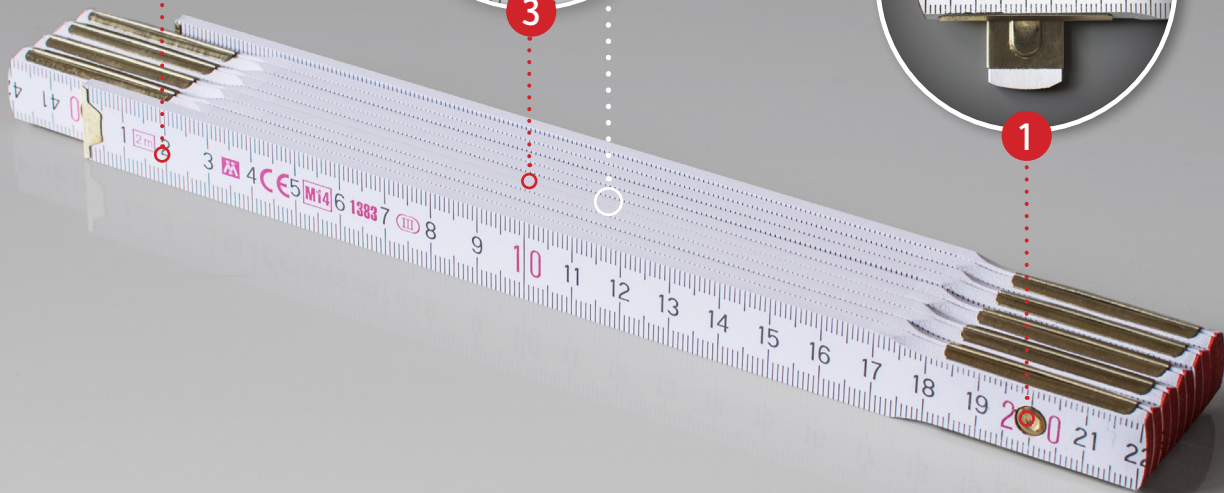
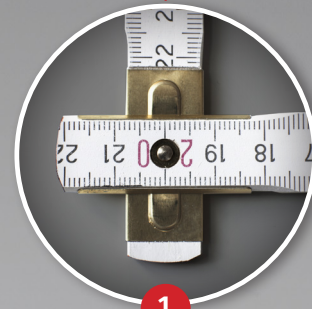
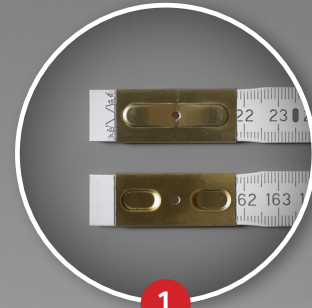
**1 Type of joint** – hidden joints are made of polyamide and fiberglass. The steel rivet is visible. The joints are greased with mineral Vaseline for comfortable use of the ruler.

**2 Surface treatment of wooden parts** – double-layered water-soluble paint. UV environmentally friendly coating of the top layer protects the ruler from the effect of thinner.

**3 Compact space of the ruler** – the whole surface of the ruler, consisting of 15 parts, can be used for promotional purposes. The adjacent wooden parts form a compact surface for the smooth print. UV coating enables the wrong print to be washed away easily and replaced with different one.

**4 Straight segments** – the smooth wooden parts without grinding enable straight lines to be drawn easily.

## PF 10



## The classic proven by its ninety years of production

### Wooden folding ruler, type PF 10

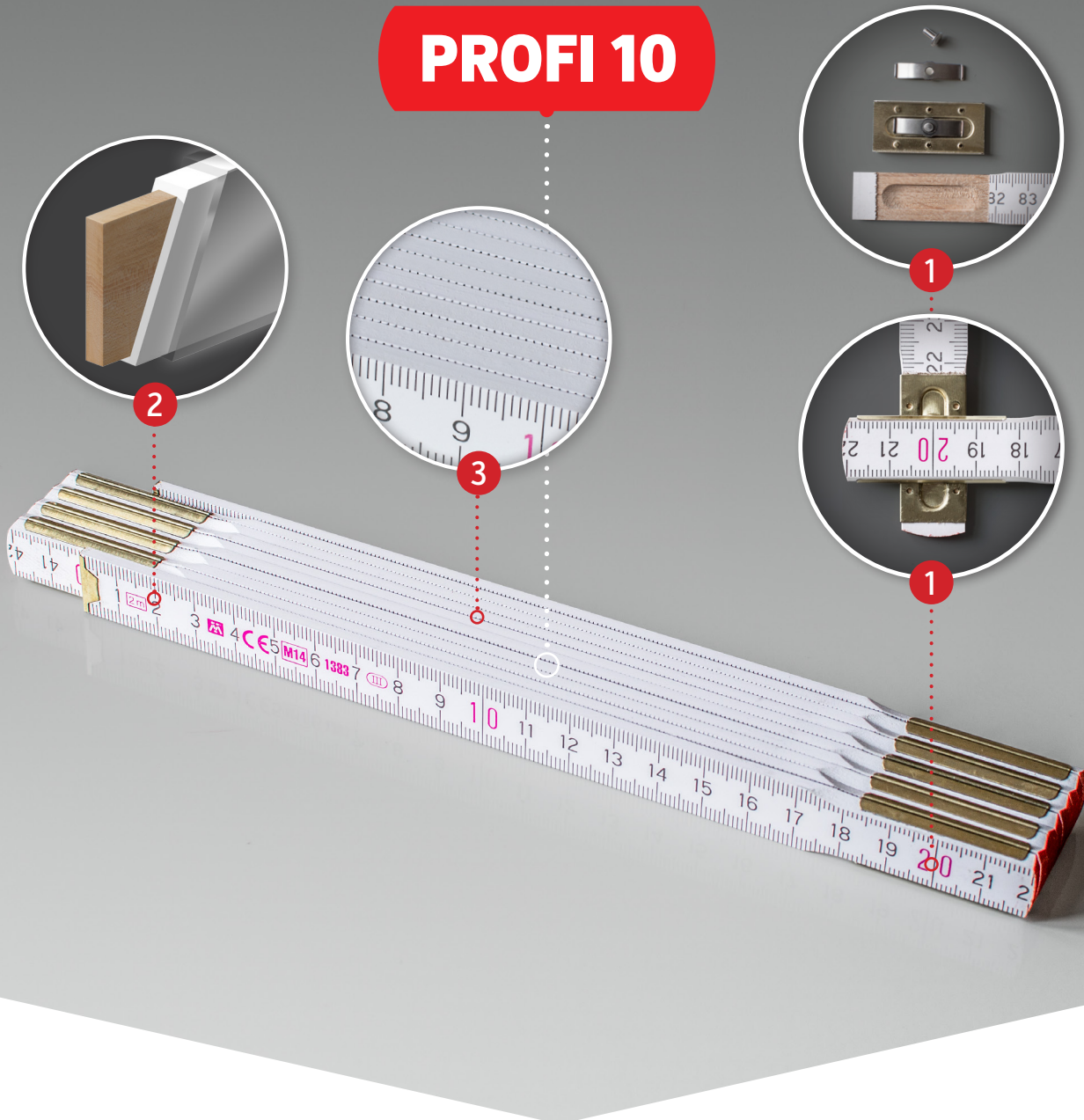
- 10 wooden parts – 2 m with dimensions of 3.2 mm x 16 mm
- material: beech wood / hornbeam
- steel joints, visible rivet

**1 Type of joint** – the joints are made of brass coated steel. The steel rivet is visible. The joints are greased with mineral Vaseline for comfortable use of the ruler.

**2 Surface treatment of wooden parts** – double-layered water-soluble paint. UV environmentally friendly coating of the top layer protects the ruler from the effect of thinner.

**3 Compact space of the ruler** – the joints are embedded into the wood. Adjacent wooden parts form a compact surface for the smooth print. UV coating enables the wrong print to be washed away easily and replaced with different one.

## PROFI 10



## Professional tool with durable joint and hidden rivet

### Wooden folding ruler, type Profi 10

- 10 wooden parts - 2 m with dimensions of 3.2 mm x 16 mm
- material: beech wood / hornbeam
- steel joints, hidden rivet, hardened spring
- firm and durable joints

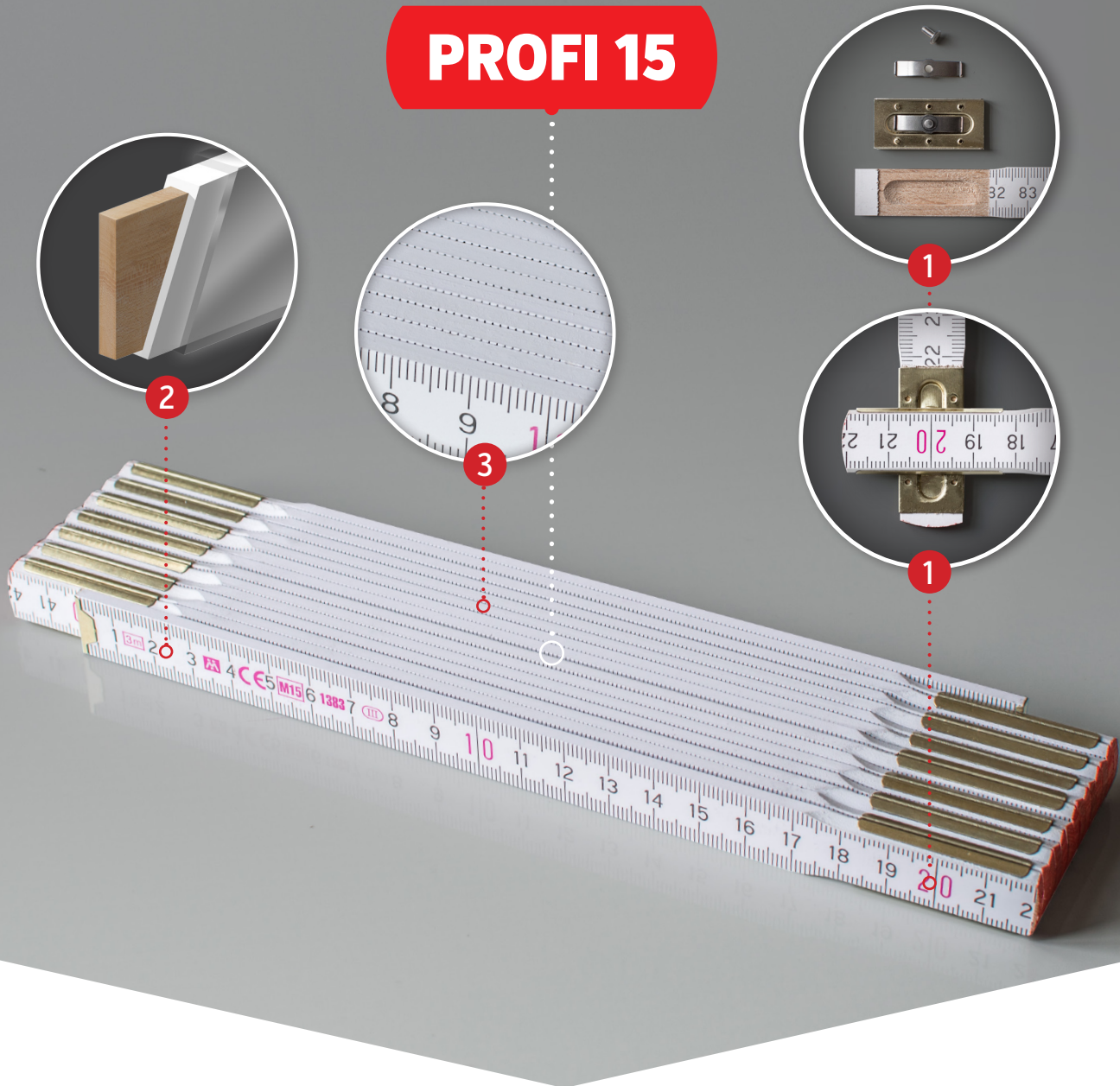
**1 Type of joint** - the joints are made of brass coated steel. They are distinguished by their long life. The steel rivet is hidden. Joints greased with mineral Vaseline together with the hardened spring to ensure a comfortable use of the ruler.

**2 Surface treatment of wooden parts** - double-layered water-soluble paint. UV environmentally friendly coating of the top layer protects the ruler from the effect of thinner.

**3 Compact space of the ruler** - the whole surface of the ruler, consisting of 10 parts, can be used for promotional purposes. The joints are embedded into the wood. Adjacent wooden parts form compact surface for the smooth print. UV coating enables the wrong print to be washed away easily and replaced with different one.



## PROFI 15



### Professional 3 m ruler with hidden rivets, durable joints and hardened spring

#### Wooden folding ruler, type Profi 15

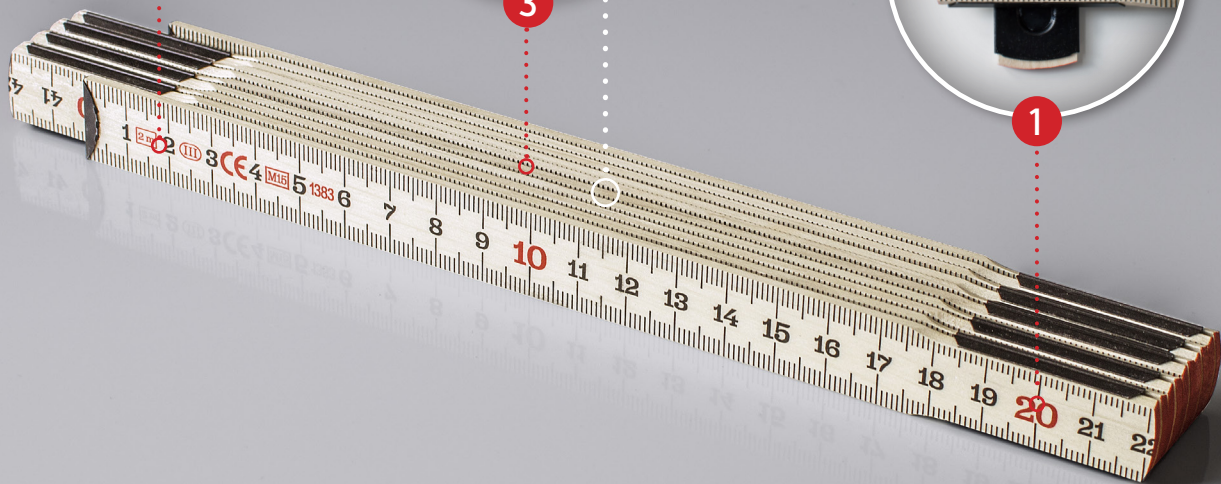
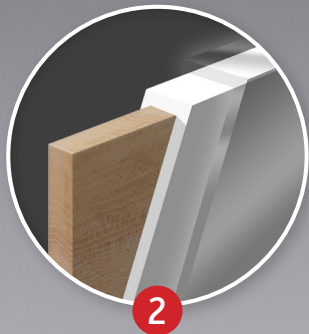
- 15 wooden parts – 3 m with dimensions of 3.2 mm x 16 mm
- material: beech wood / hornbeam
- steel joints, hidden rivet, hardened spring
- firm and durable joints

**1 Type of joint** – the joints are made of brass coated steel. They are distinguished by their long life. The steel rivet is hidden. Joints greased with mineral Vaseline together with the hardened spring to ensure a comfortable use of the ruler.

**2 Surface treatment of wooden parts** – double-layered water-soluble paint. UV environmentally friendly coating of the top layer protects the ruler from the effect of thinner.

**3 Compact space of the ruler** – the whole surface of the ruler, consisting of 15 parts, can be used for promotional purposes. The joints are recessed. Adjacent wooden parts form compact surface for the smooth print. UV coating enables the wrong print to be washed away easily and replaced with different one.

## SLIMBOY



### “Slimboy” means natural wood colour, functionally narrowed wooden parts and durable joints

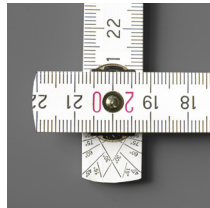
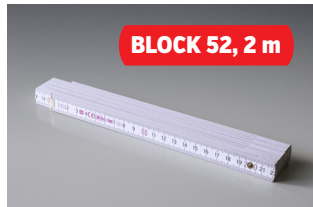
#### Wooden folding ruler, type SLIMBOY

- 10 wooden parts – 2 m with dimensions of 2,3 mm x 17 mm
- material: hornbeam / birch
- steel joints, hidden rivet

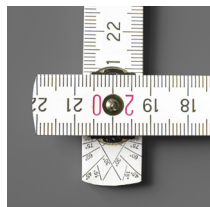
**1 Type of joint** – the joints are made of galvanized black coated steel. They are distinguished by their long life. The steel rivet is hidden. Joints greased with mineral Vaseline together with the hardened spring to ensure a comfortable use of the ruler.

**2 Surface treatment of wooden parts** – double-layered water-soluble lacquer. UV environmentally friendly coating of the top layer protects the ruler from the effect of thinner.

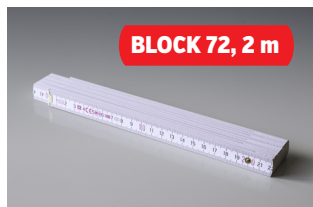
**3 Narrowed wooden parts** – the narrowed wooden parts make the ruler more comfortable to carry in a pocket. It is also easier to read figures from the scale when measuring. The ruler is extremely flexible especially due to birch wood.



Material	Dimensions and nr. of wooden parts	Surface treatment		Type of joint		Suitability for promotional print			
		1 <sup>st</sup> a 2 <sup>nd</sup> layer	3 <sup>th</sup> layer	Joints	Rivets	Suitable for print	Washable with thinner	Compact space of the ruler	Print size
Beech wood /hornbeam	3,2 x 16 mm, 10 pcs	Water-soluble paint	UV lacquer	Hardened steel	Visible rivet	yes	yes	yes	●●●●



Material	Dimensions and nr. of wooden parts	Surface treatment		Type of joint		Suitability for promotional print			
		1 <sup>st</sup> a 2 <sup>nd</sup> layer	3 <sup>th</sup> layer	Joints	Rivets	Suitable for print	Washable with thinner	Compact space of the ruler	Print size
Beech wood /hornbeam	3,2 x 16 mm, 15 pcs	Water-soluble paint	UV lacquer	Hardened steel	Visible rivet	yes	yes	yes	●●●●●



Material	Dimensions and nr. of wooden parts	Surface treatment		Type of joint		Suitability for promotional print			
		1 <sup>st</sup> a 2 <sup>nd</sup> layer	3 <sup>th</sup> layer	Joints	Rivets	Suitable for print	Washable with thinner	Compact space of the ruler	Print size
Beech wood /hornbeam	3,2 x 16 mm, 10 pcs	Water-soluble paint	UV lacquer	Polyamide and fiberglass	Visible rivet	yes	yes	yes	●●●●



Material	Dimensions and nr. of wooden parts	Surface treatment		Type of joint		Suitability for promotional print			
		1 <sup>st</sup> a 2 <sup>nd</sup> layer	3 <sup>th</sup> layer	Joints	Rivets	Suitable for print	Washable with thinner	Compact space of the ruler	Print size
Beech wood /hornbeam	3,2 x 16 mm, 15 pcs	Water-soluble paint	UV lacquer	Polyamide and fiberglass	Visible rivet	yes	yes	yes	●●●●●



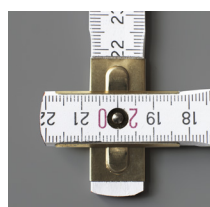
Material	Dimensions and nr. of wooden parts	Surface treatment		Type of joint		Suitability for promotional print			
		1 <sup>st</sup> a 2 <sup>nd</sup> layer	3 <sup>th</sup> layer	Joints	Rivets	Suitable for print	Washable with thinner	Compact space of the ruler	Print size
Beech wood /hornbeam	3.2 x 16 mm, 10 pcs	Water-soluble paint	UV lacquer	Brass coated, steel, hardened spring	Hidden rivet	yes	yes	yes	●●●



Material	Dimensions and nr. of wooden parts	Surface treatment		Type of joint		Suitability for promotional print			
		1 <sup>st</sup> a 2 <sup>nd</sup> layer	3 <sup>th</sup> layer	Joints	Rivets	Suitable for print	Washable with thinner	Compact space of the ruler	Print size
Beech wood /hornbeam	3,2 x 16 mm, 15 pcs	Water-soluble paint	UV lacquer	Brass coated, steel, hardened spring	Hidden rivet	yes	yes	yes	●●●●



Material	Dimensions and nr. of wooden parts	Surface treatment		Type of joint		Suitability for promotional print			
		1 <sup>st</sup> a 2 <sup>nd</sup> layer	3 <sup>th</sup> layer	Joints	Rivets	Suitable for print	Washable with thinner	Compact space of the ruler	Print size
Hornbeam /birch	2.3 x 17 mm, 10 pcs	Water-soluble lacquer	UV lacquer	Galvanically blackened steel, hardened spring	Hidden rivet	yes	yes	no	●●●



Material	Dimensions and nr. of wooden parts	Surface treatment		Type of joint		Suitability for promotional print			
		1 <sup>st</sup> a 2 <sup>nd</sup> layer	3 <sup>th</sup> layer	Joints	Rivets	Suitable for print	Washable with thinner	Compact space of the ruler	Print size
Beech wood /hornbeam	3,2 x 16 mm, 10 pcs	Water-soluble paint	UV lak	Brass coated steel	Visible rivet	yes	yes	yes	●●●